

# ghost

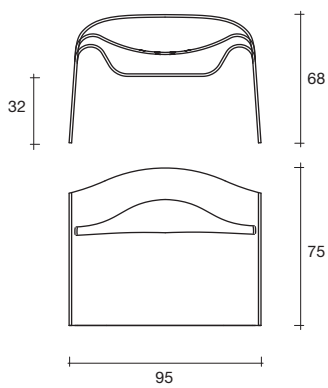
modello registrato  
registered model

DESIGN  
CINI BOERI

portata sul piano: 150 kg  
total load capacity: 150 kg

Poltrona monolitica  
in vetro curvato da 12 mm.

Monolithic chair in 12 mm-thick curved  
glass.



| dimensioni L, P, H<br>dimensions L, W, H<br>(cm)   | COD./CODE | L  | P/W | H  | peso netto<br>net weight<br>(kg) | peso lordo<br>gross weight<br>(kg) | volume imballo<br>package volume<br>(m <sup>3</sup> ) |
|--|-----------|----|-----|----|----------------------------------|------------------------------------|---|
| Poltrona monolitica<br>in vetro curvato da 12 mm.<br>Monolithic chair in 12 mm thick curved glass. | 02        | 95 | 75  | 68 | 36                               | 64                                 | 0,75  |